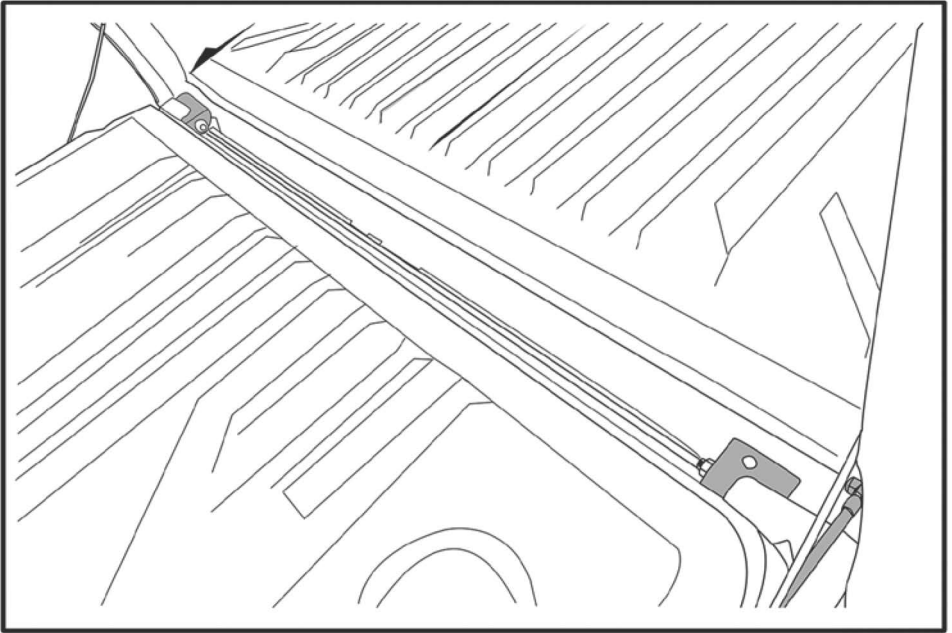




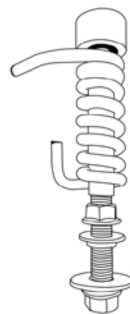
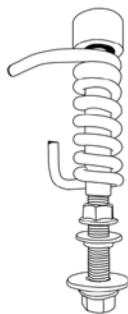
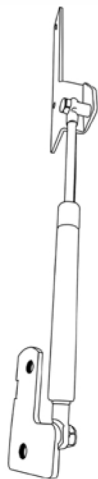
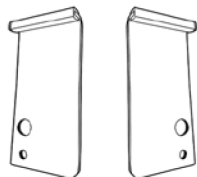
FITTING INSTRUCTION

FORD RANGER



Patent Pending Worldwide

Part list



M6X20



Tooling



No.14

No.7



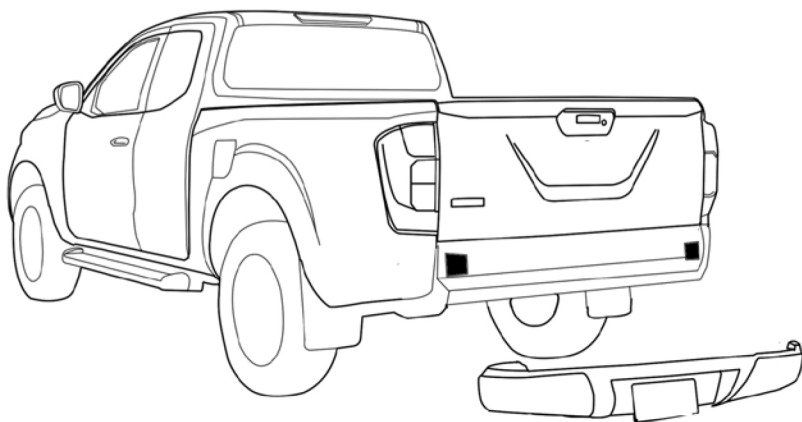
No.8
No.10



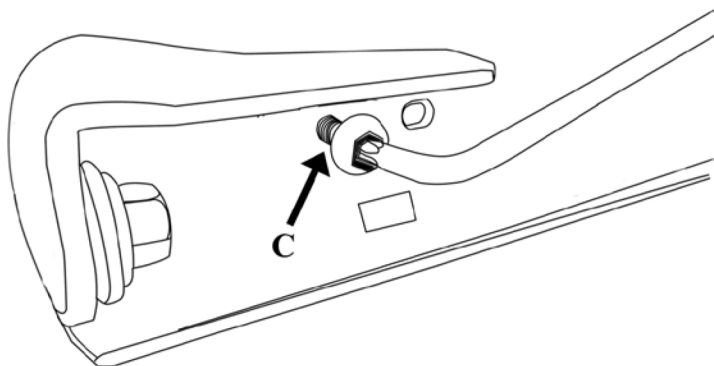
No.21
No.19
No.13

**NOTE : Process #2 - #4 will
be done from the bottom of
the tailgate while the tailgate
in closed position.**

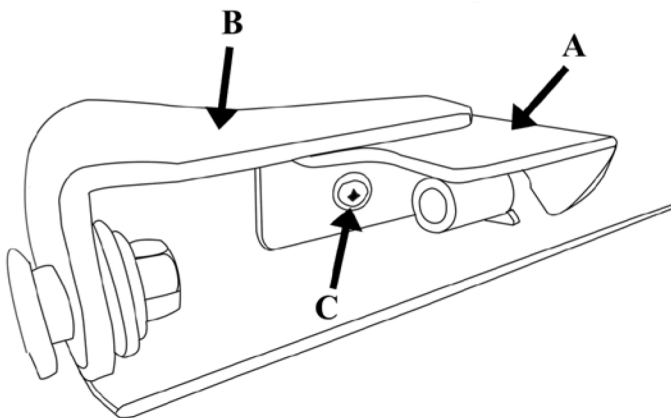
1. take off rear bumper



2. un-bolt the truck tailgate bracket

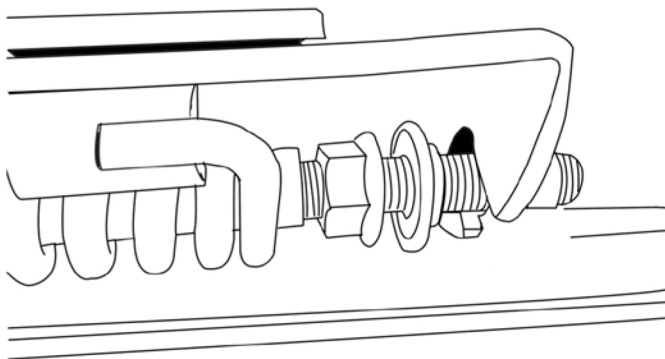


3. Attache tailgate bracket (A) on the truck tailgate bracket (B) using original bolt(C)

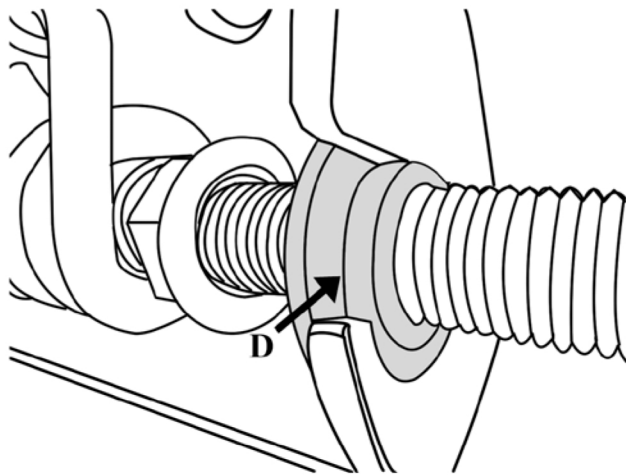


4. Assembly the spring set with tailgate bracket

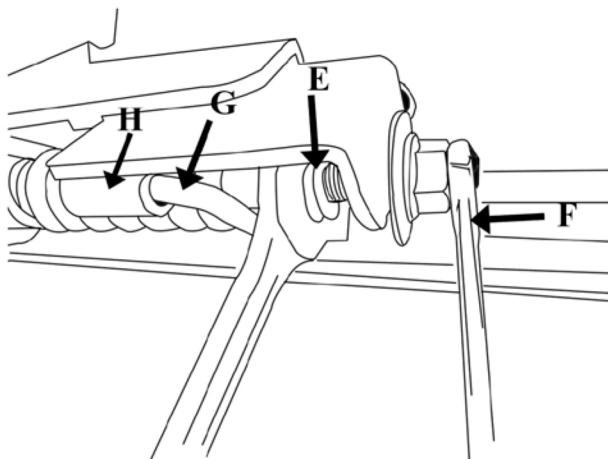
4.1 put spring set with tailgate bracket as below picture



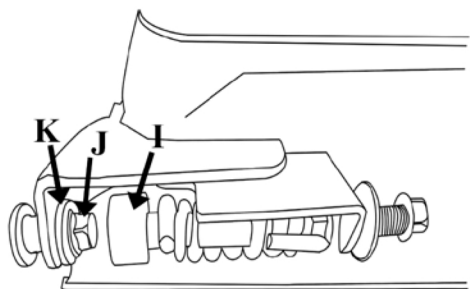
4.2 put flange (D) to the hole on tailgate bracket as below picture



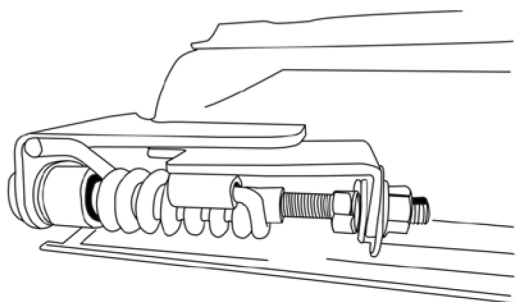
4.3 tighten nut (E) while holding the rod of the spring set with #7 wrench (F)



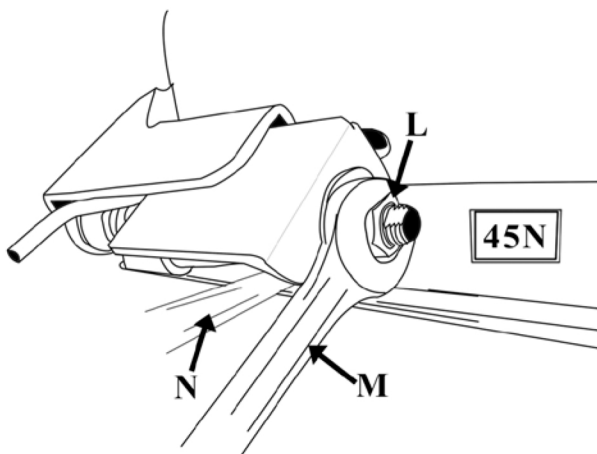
Make sure that the spring end (G) is slided in the bush (H) of the tailgate bracket



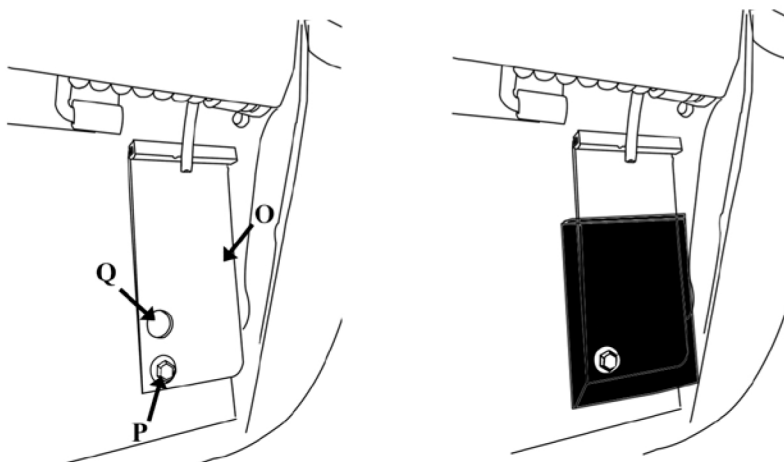
tighten the nut (E) till bush (I) completely cover the bolt head (J) and touch the flat washer (K)



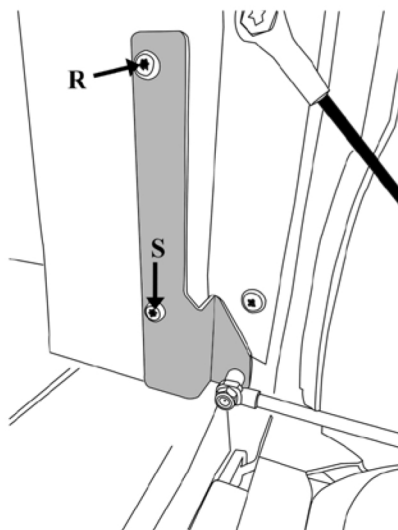
4.4 tighten nut (L) with wrench #14 (M) while holding nut (E) with wrench #14 (N)



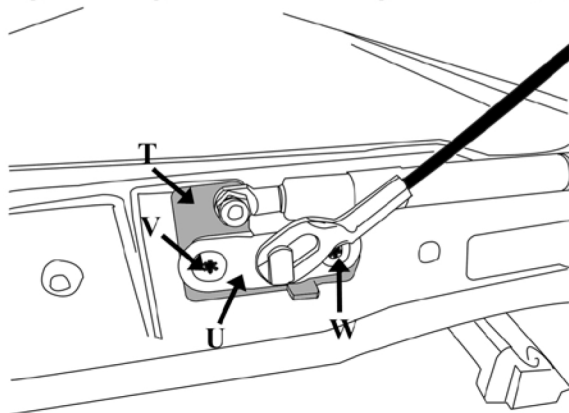
5. Attache spring pushing bracket (O) with the truck using original bolt (P). If the truck has stopping rubber, can put it back through hole (Q)



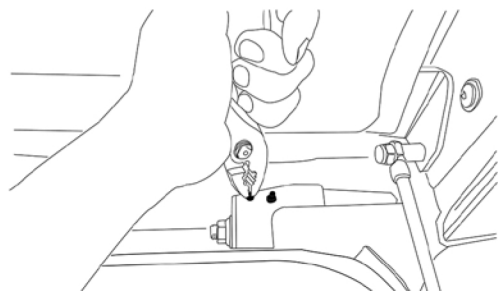
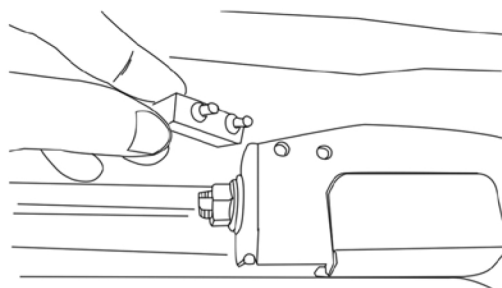
6. Attache damper to the truck using original bolt (R) (S)



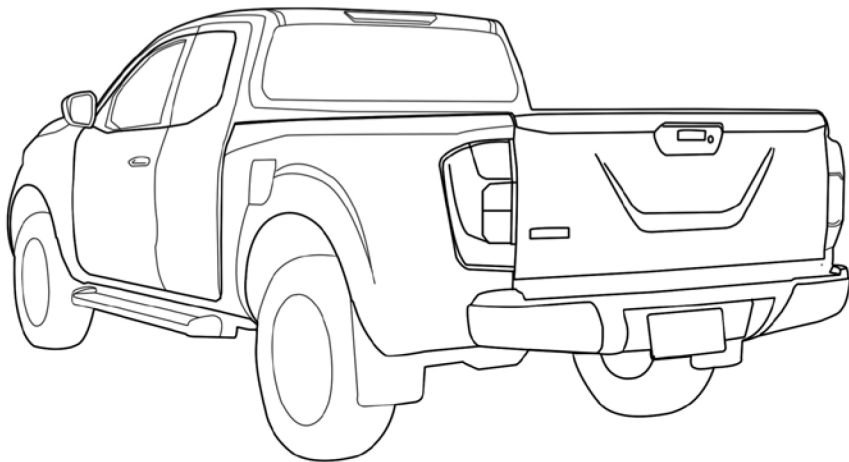
- 7. Attach damper to the tailgate by putting damper bracket (T) under tailgate sling bracket (U) and tighten together with original bolt (V) (W)**



- 8. Put stopper rubber with tailgate bracket**



1. Take off original tailgate bracket



9.put back rear bumper

Bei der Montage des Prolifts beachten Sie bitte:

Sollte Ihre Stoßstange eine nach oben laufende Plastikschürze haben, so muss ein kleines Stück an der linken und an der rechten Seite ausgeschnitten werden, um einen ungehinderten Sitz des PROLifts zu gewährleisten. (siehe Bild)



Note:

Apply WD40 or grease to the moving parts regularly for good performance of the product.

Patent Pending Worldwide