



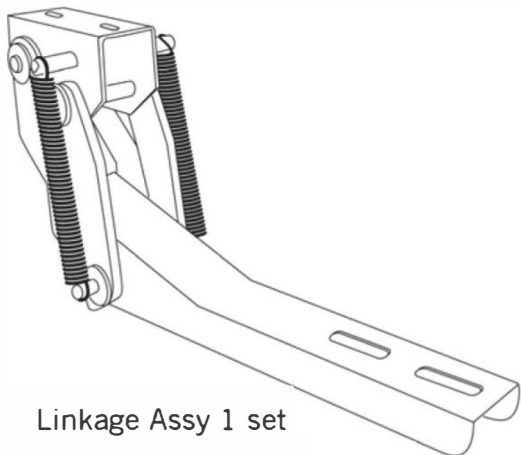
Installation Guide

In case of required assistance call us under:
+49 (0)341-49 579 232.

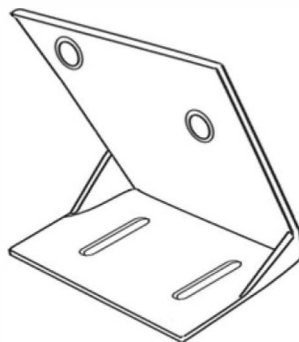
T-STEP

Model : Mitsubishi Triton

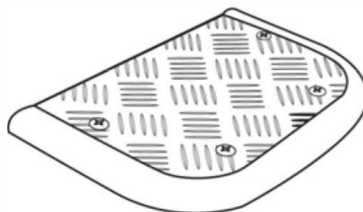
Part List



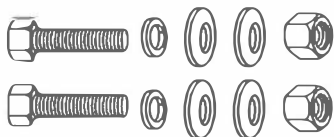
Linkage Assy 1 set



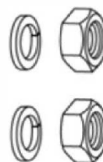
Mounting bracket 1 pc



Top plate 1 pc

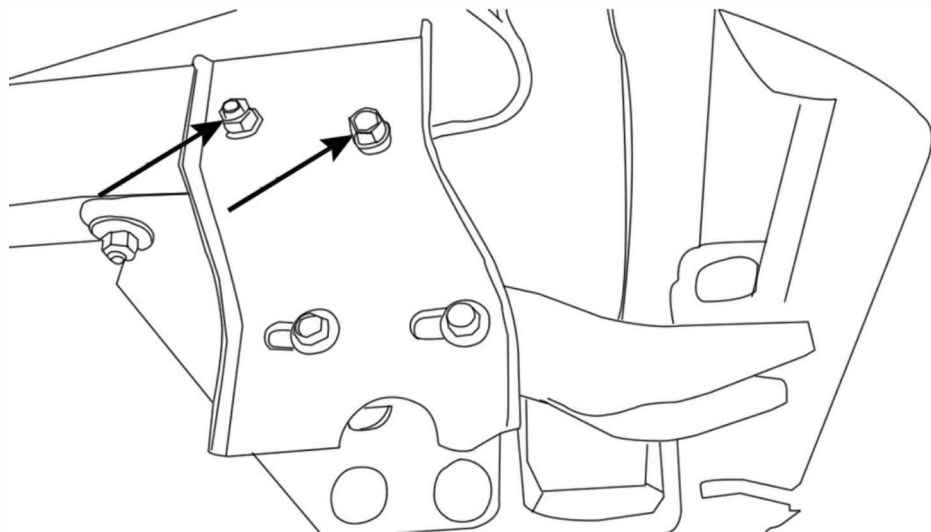


Bolt M 10x30, washer(2),
spring washer, nut
2 sets

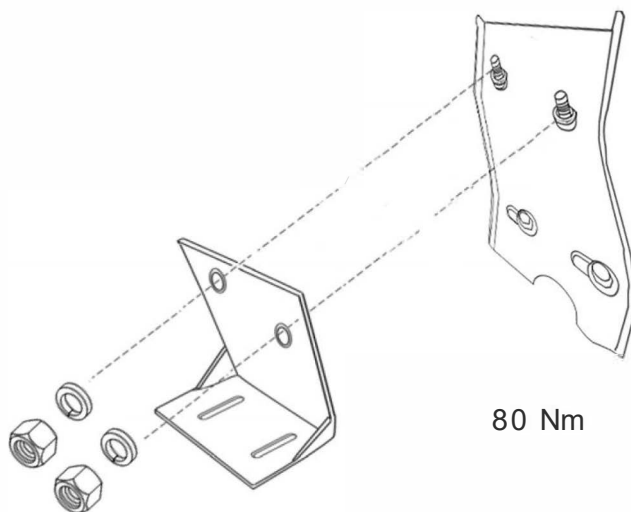


Nut M 10 , spring washer,
2 sets

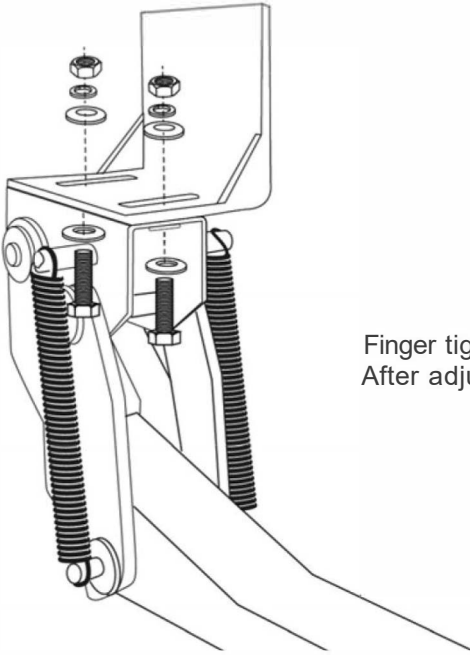
1. Locate rear bumper attachment and remove the bolts



2. Attach mounting bracket (use bolt M 10x60, washer)

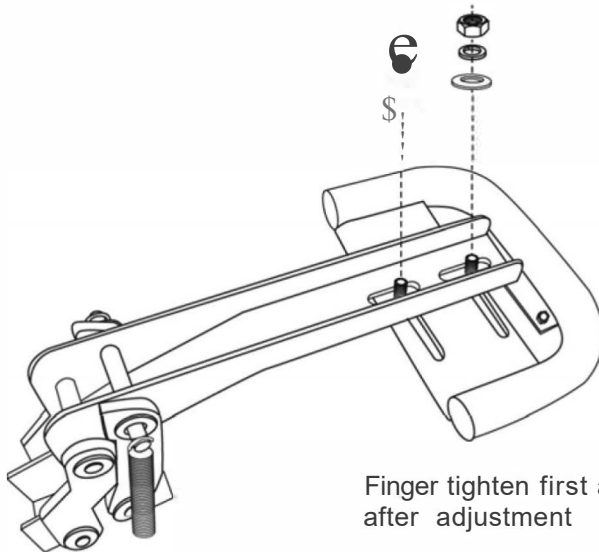


3. Install linkage assy (use bolt M10x30, washer, spring washer, nut)



Finger tighten first and 30 Nm
After adjustment

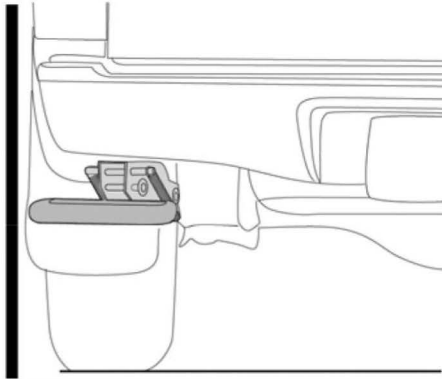
4. Install step (use nut M10, washer, spring washer)



Finger tighten first and 10 Nm
after adjustment

Adjustment

- 1. Retracted position** - make sure.
The step not access the side of the truck.



- 2. Deployed position** -make sure the side-angle movement is enough to give access to the step even with the tailgate down.

