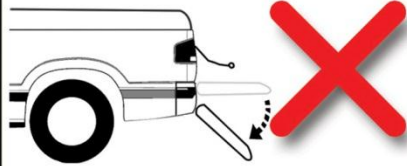


CAUTION



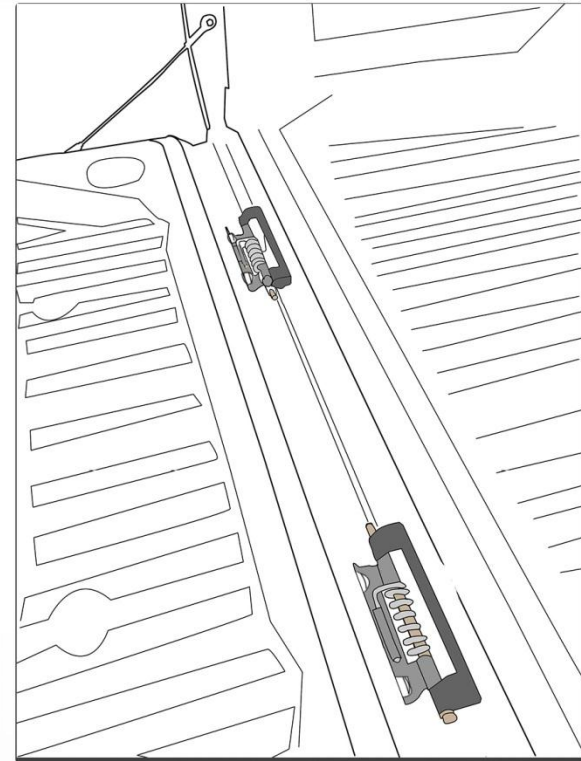
Do not take off
tailgate cable
and drop down
the tailgate

Patent Pending Worldwide

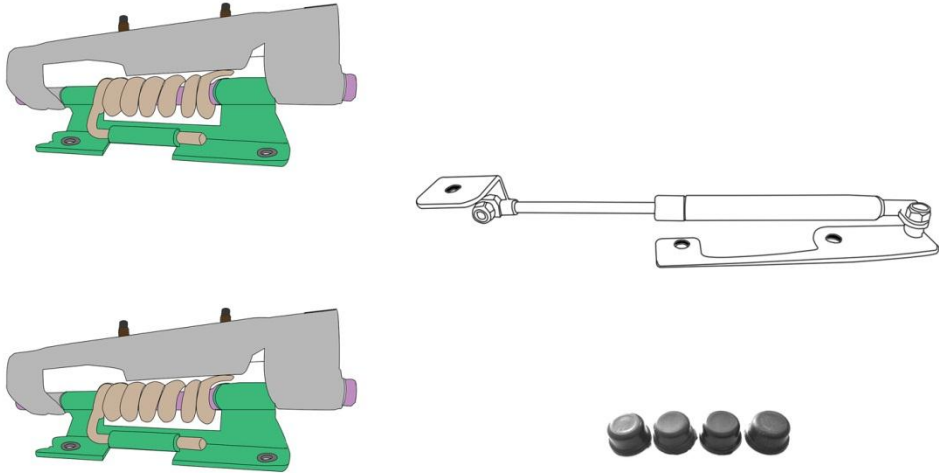
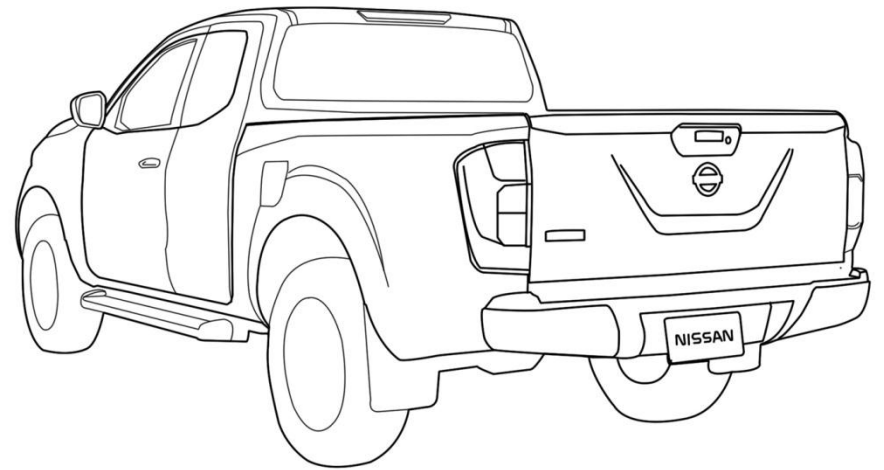
PRO *lift*

FITTING INSTRUCTION

NISSAN NP300

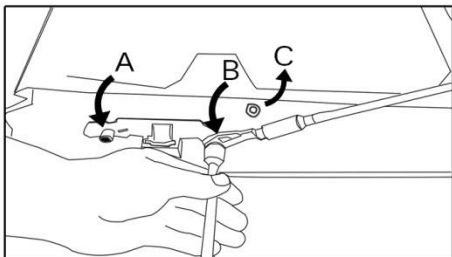


Patent Pending Worldwide

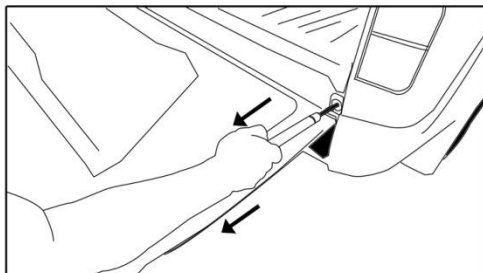
Part listToolingNo.13No.12No.12

put back rear bumper

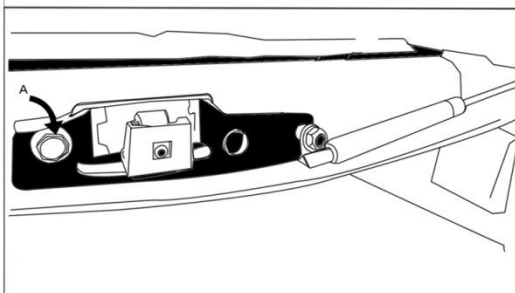
2. Attach barrel end to tailgate



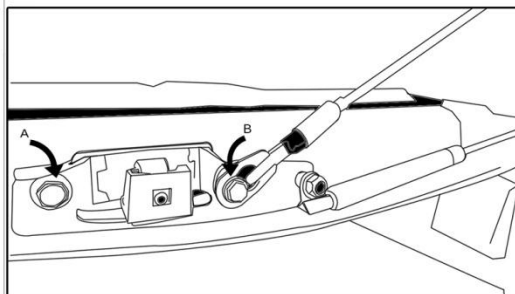
un-bolt bolt A and B
take out flat washer C



pull the damper



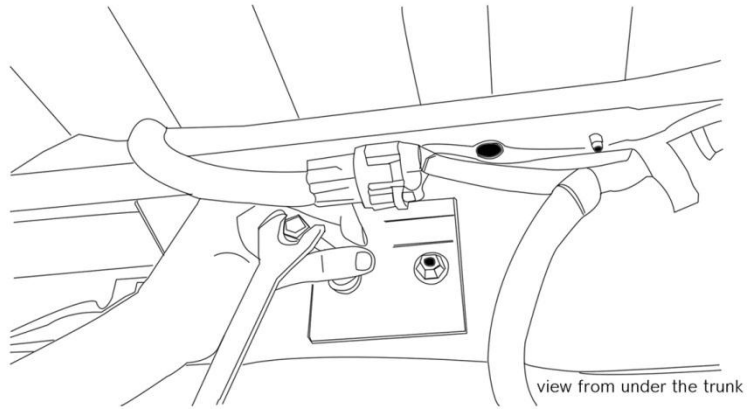
place the bracket of the damper
and tighten bolt A back



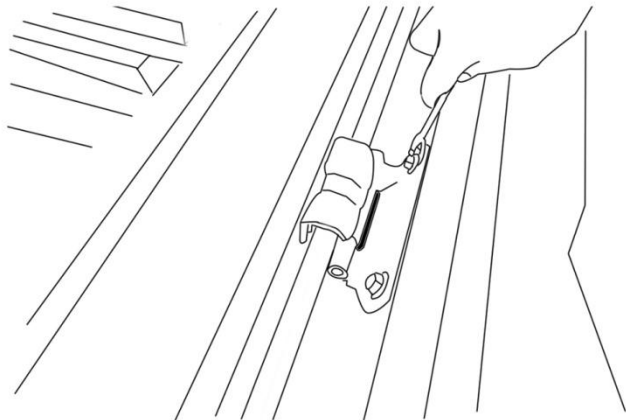
put sling back in place
and tighten bolt B

Note :

Apply WD40 or grease to the moving parts regularly for good performance of the product.

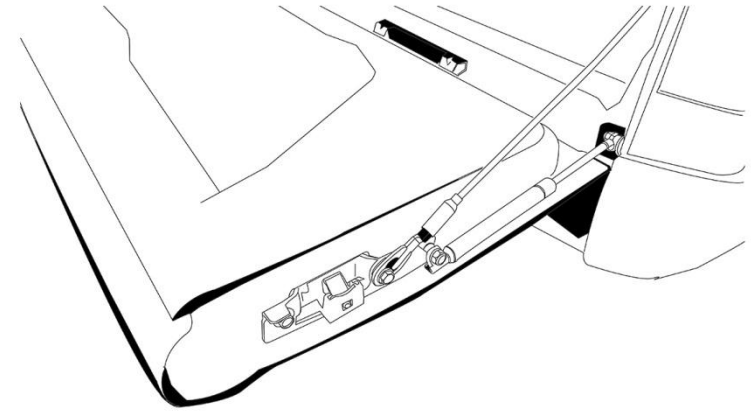


1. take out the original tailgate bracket from the trunk.

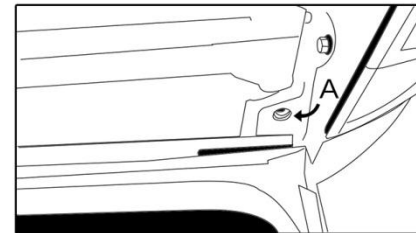


2. take off the original bracket from tailgate.

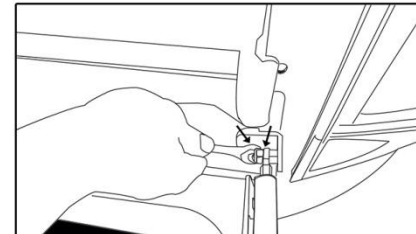
Attach Damper



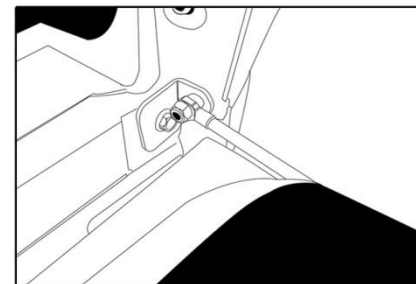
1. Attach rod end to the trunk

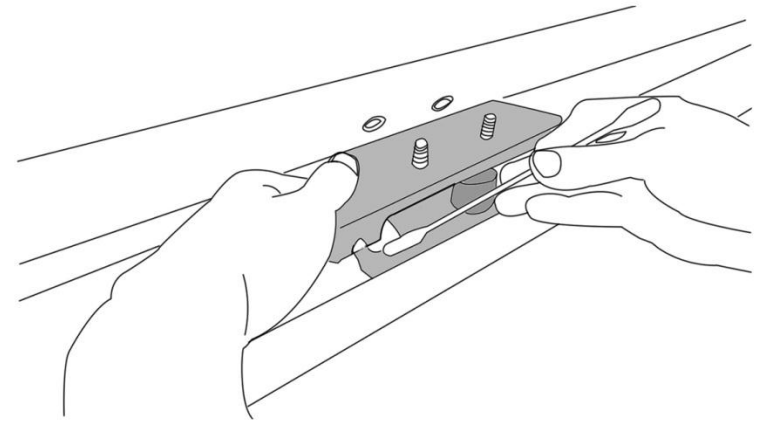
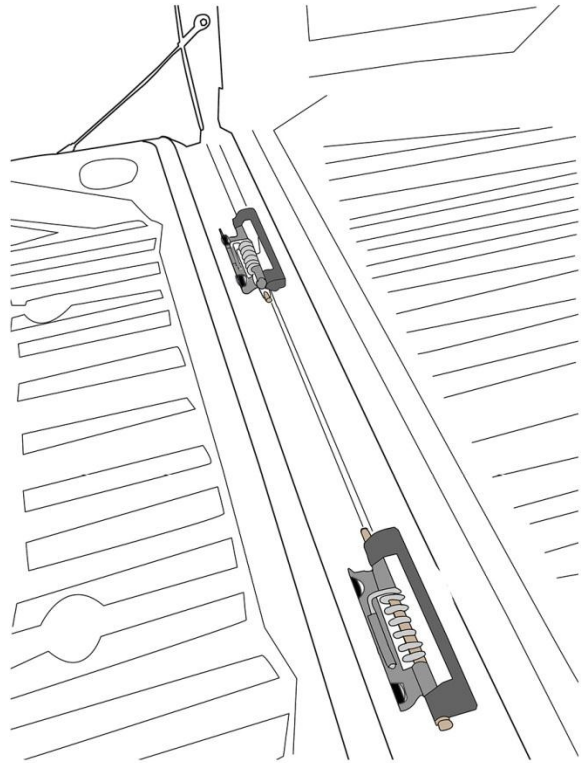


un-bolt bolt A

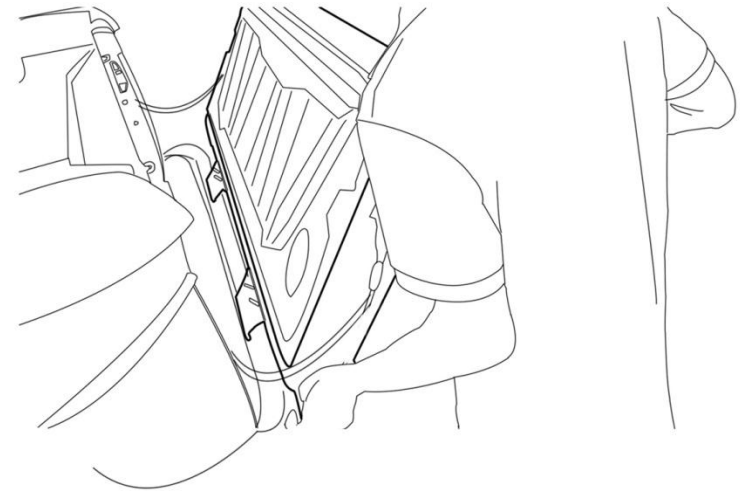


place rod end of damper
and tighten back bolt A

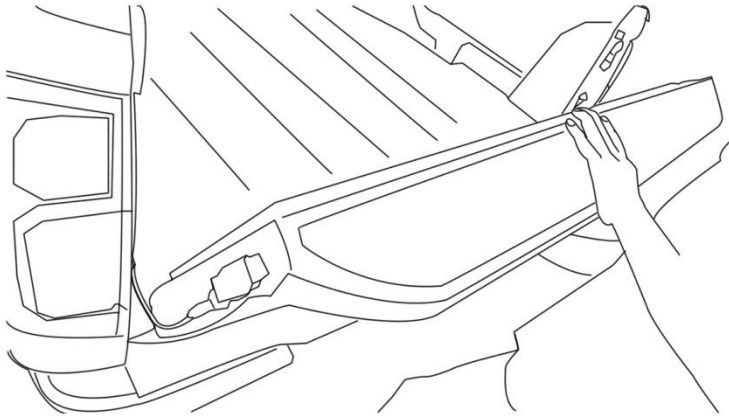




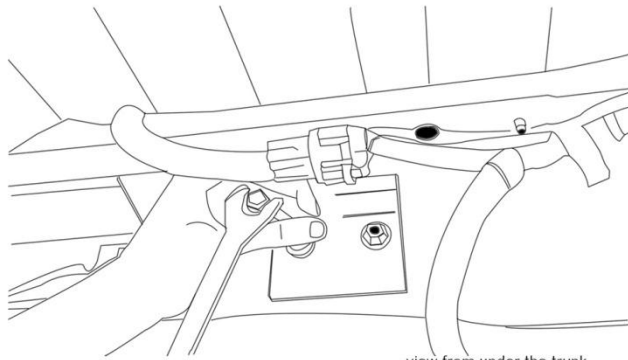
3.install tailgate lift set to replace the original bracket using original bolts



4.put tailgate back to the trunk in locking position (closed position)

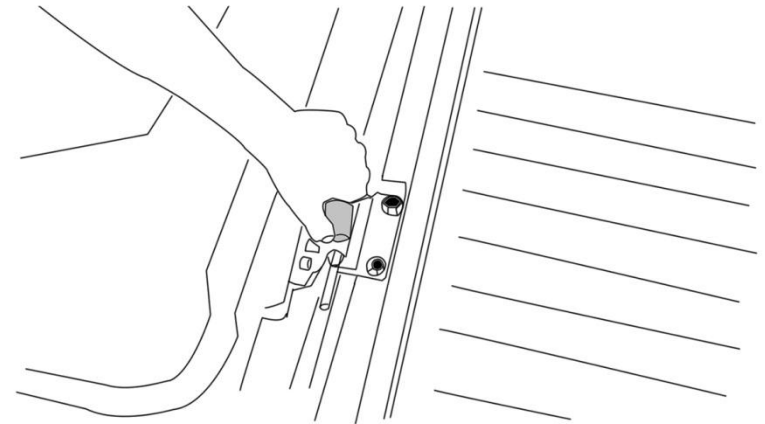


5.catch tailgate back to the trunk



view from under the trunk

6.attached the bracket to the trunk using original bracket and nuts.



7.open the tailgate and take out the stopper rubber.