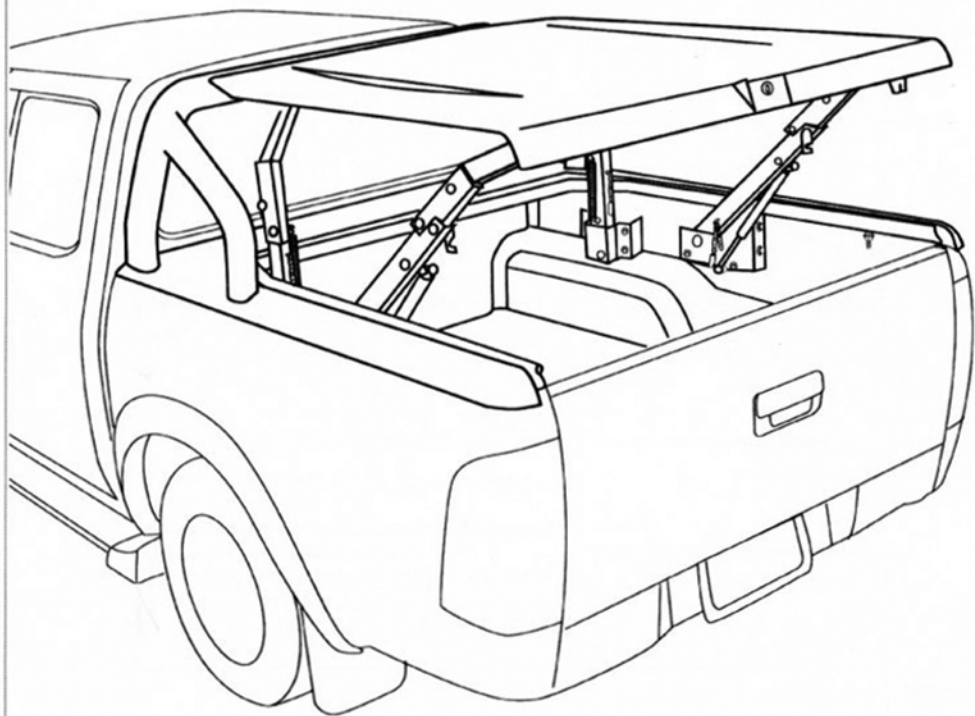




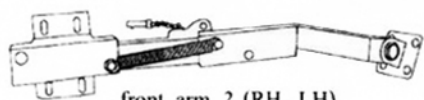
The Perfect Line of Fiber Art!

AUFBAUANLEITUNG

AMAROK



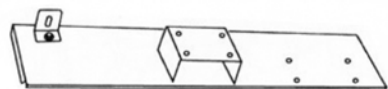
Patent Pending Worldwide



front arm 2 (RH , LH)



rear arm 2 (RH , LH)



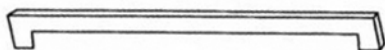
side panel 2 (RH , LH)



rear arm connecting pipe 1



gas strut 2



gas strut installation tool 1



front brckt 2 (RH , LH)



cover plate holding (front) 2



cover plate holding (rear) 2



side panel holding (rear) 2 (RH , LH)



latch 2 (RH , LH)



cover brckt 2



pipe end 2



- nut M8 + flat washer (b) 16

- bolt M8x20 + flat washer + flat washer (b) 4

- bolt M8x20 + flat washer + flat washer (b) 2

- bolt M8x20 + flat washer + spring washer 16

- bolt head cover 56

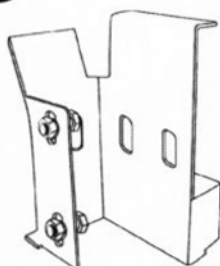
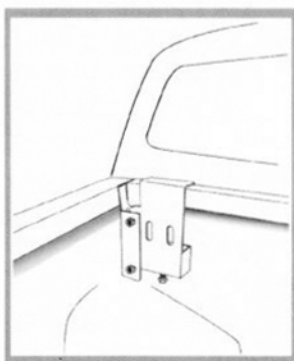
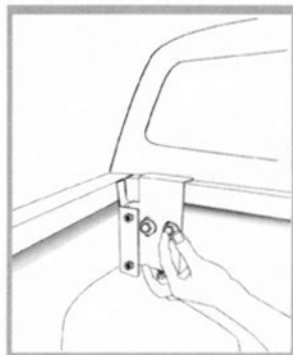
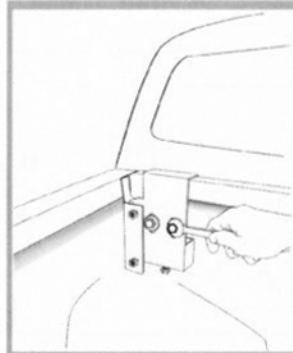
Special part :

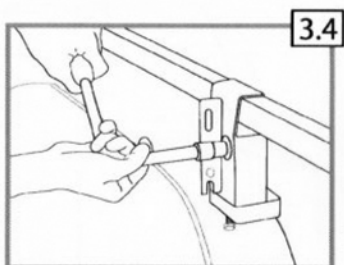
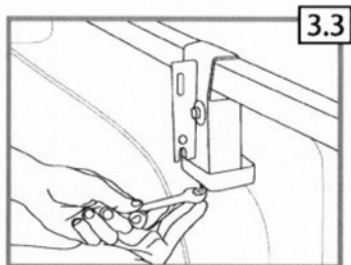
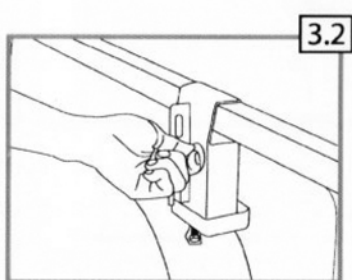
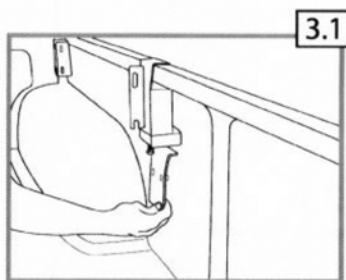
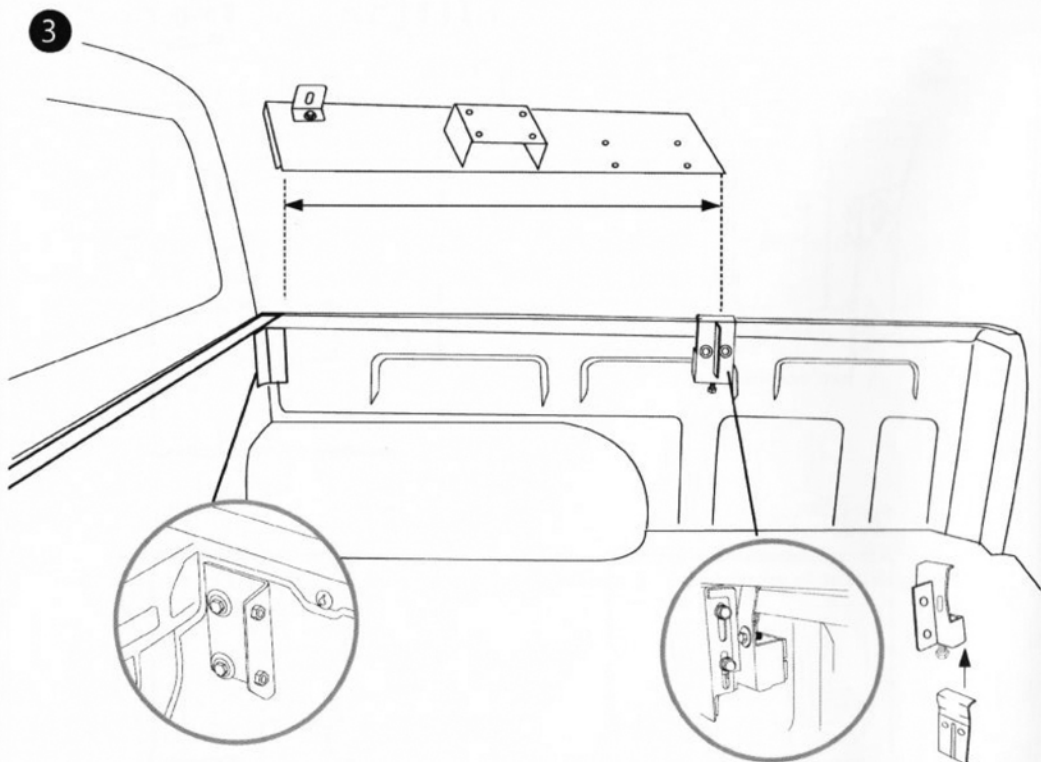


front security 2

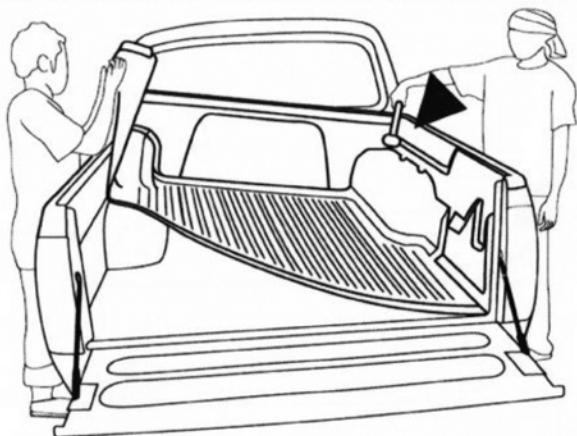
- flat washer 4

Fitting Instruction

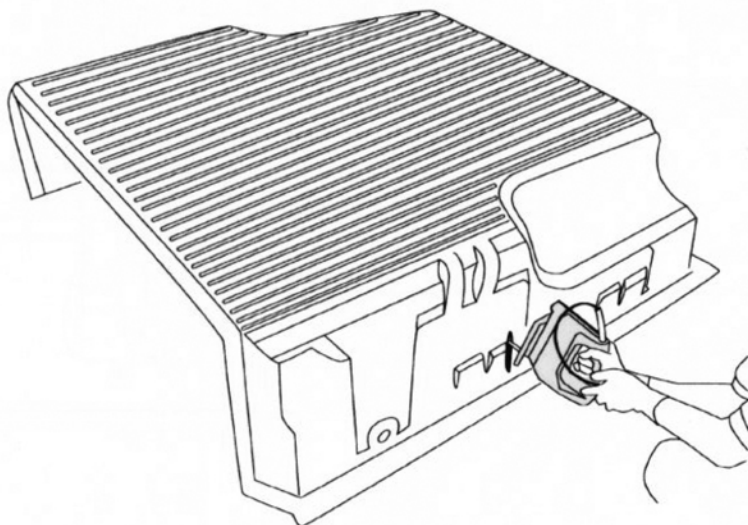
1**2****2.1****2.2****2.3****2.4**



4



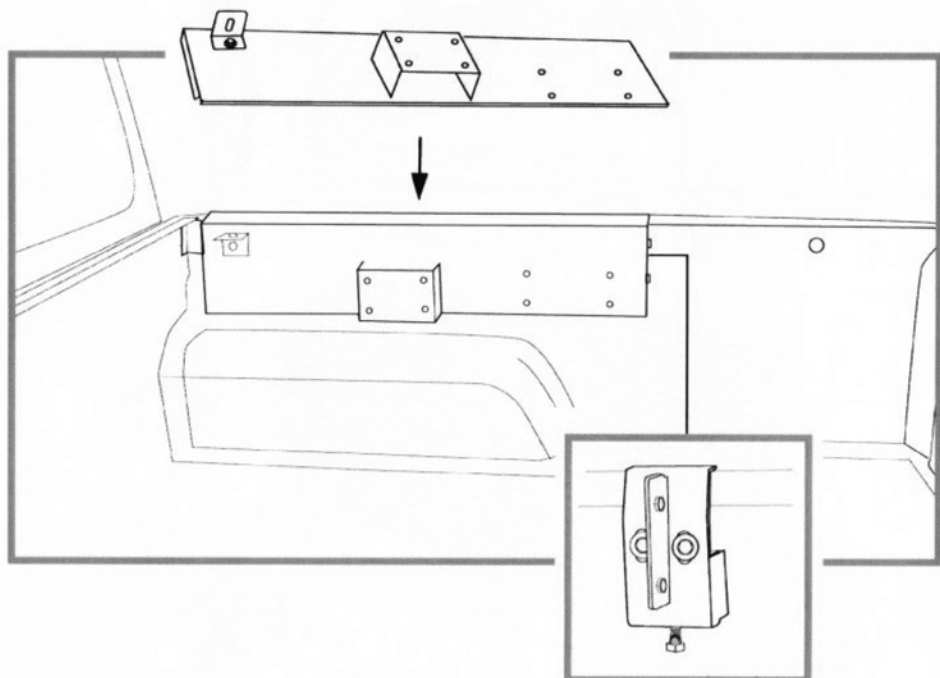
5



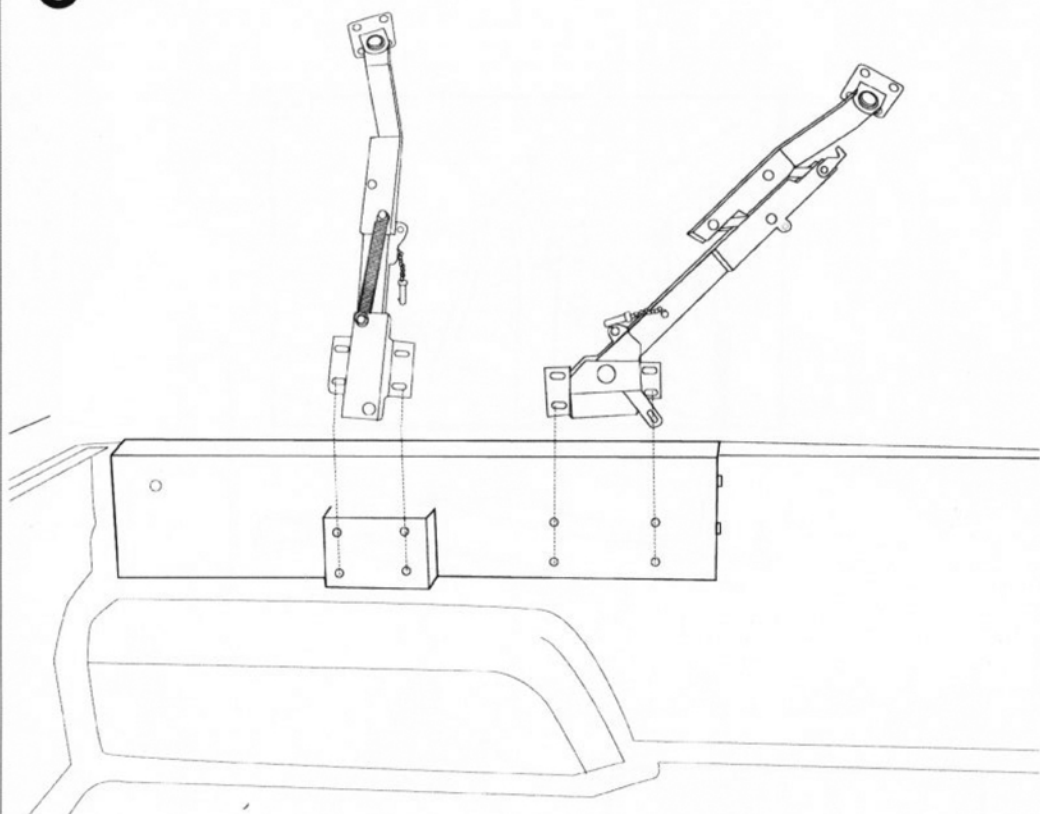
6



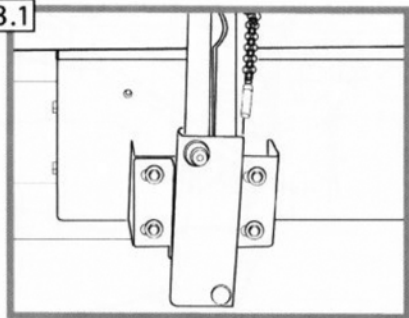
7



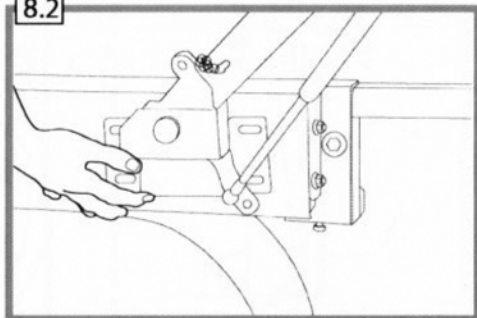
8



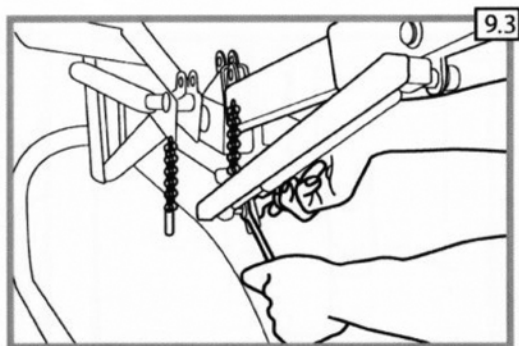
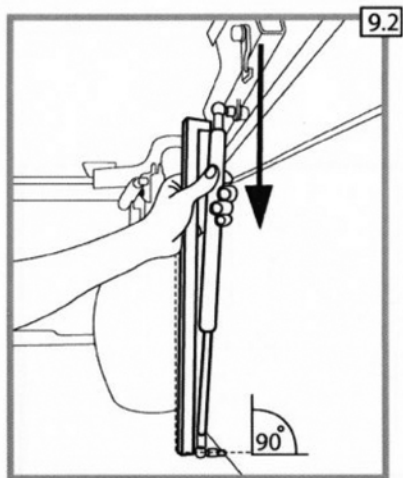
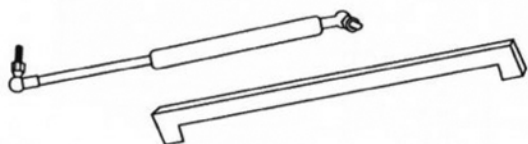
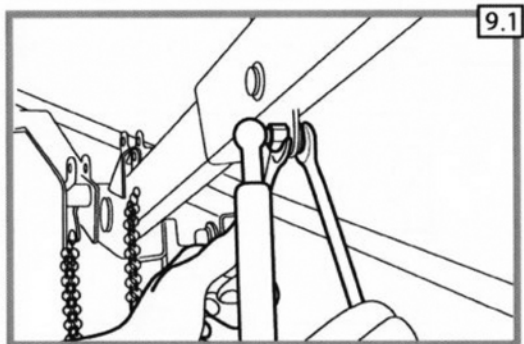
8.1



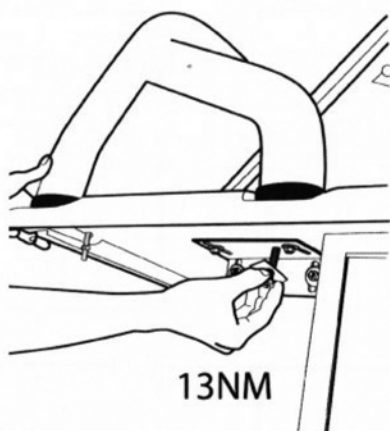
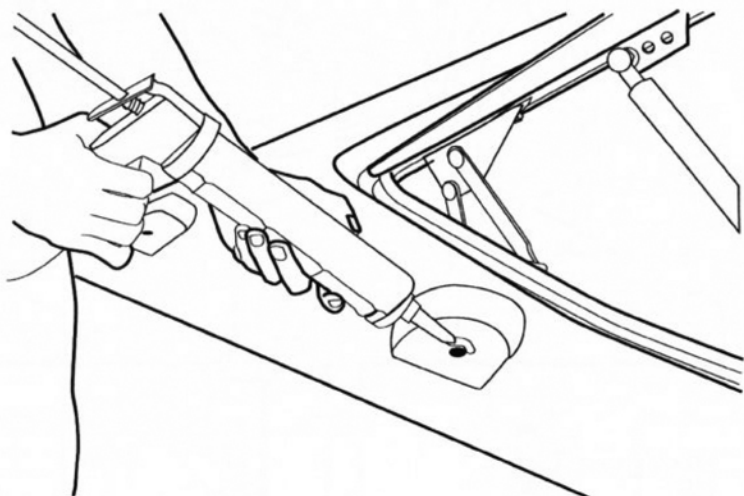
8.2

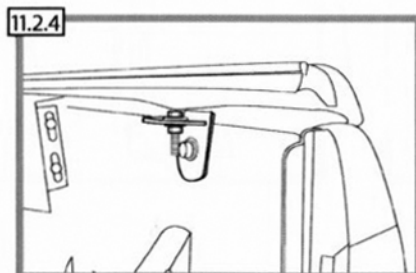
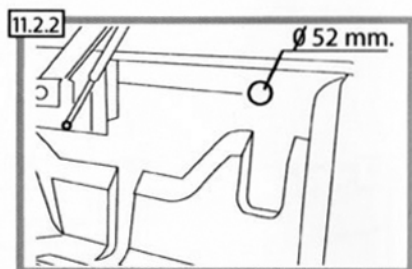
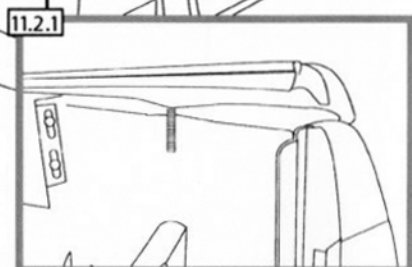
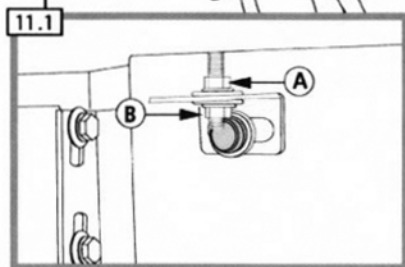
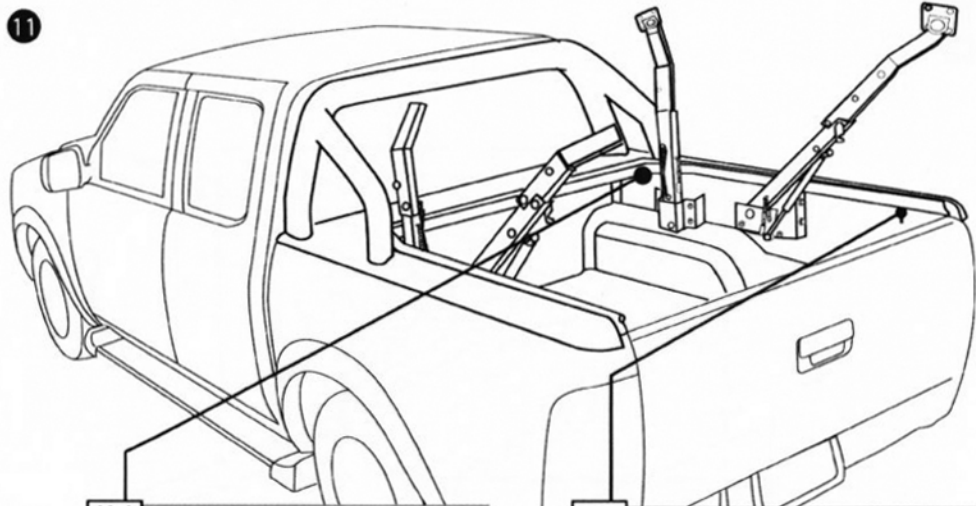


9

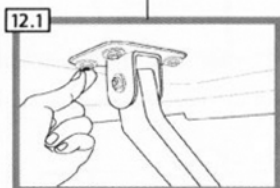
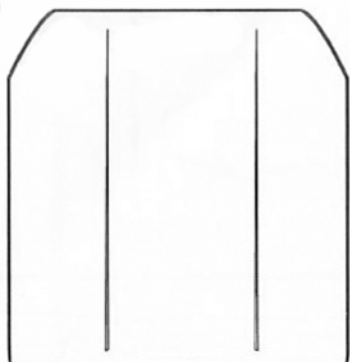


10

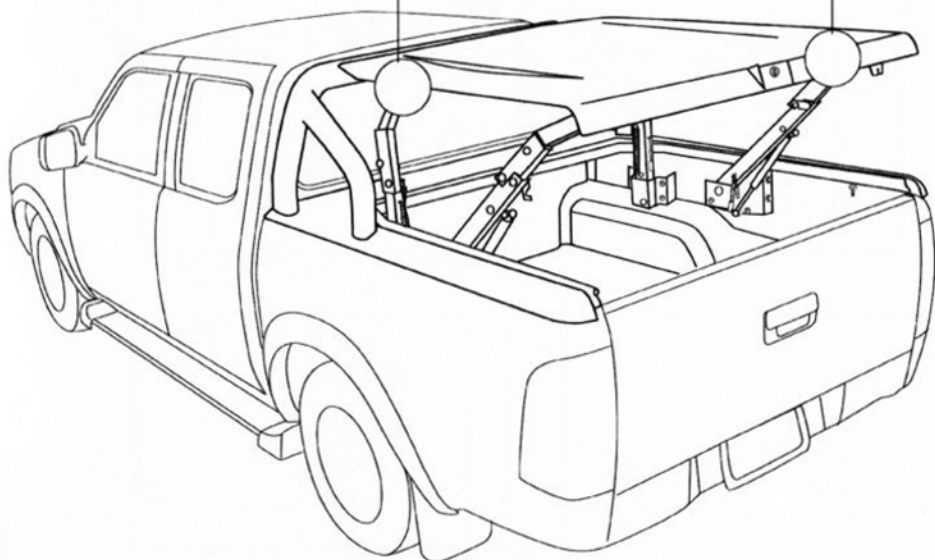
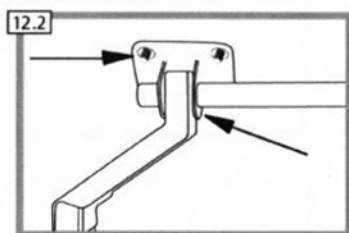




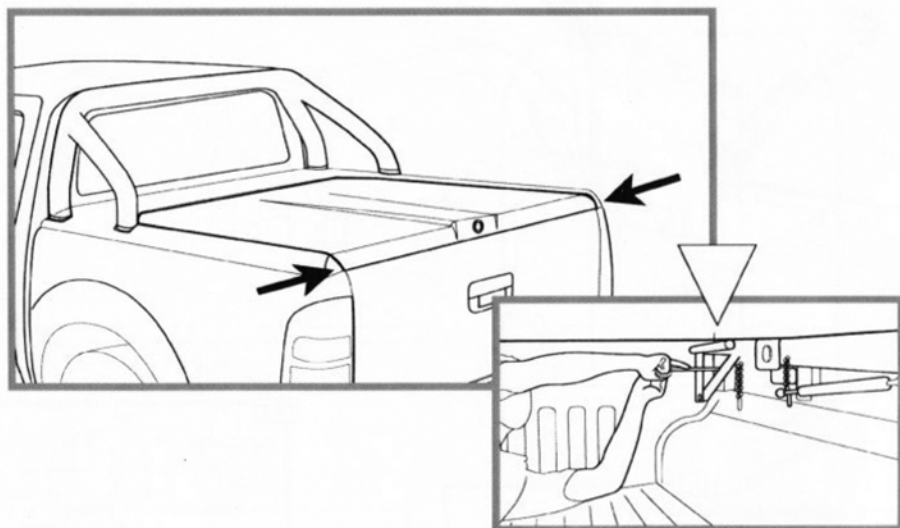
12



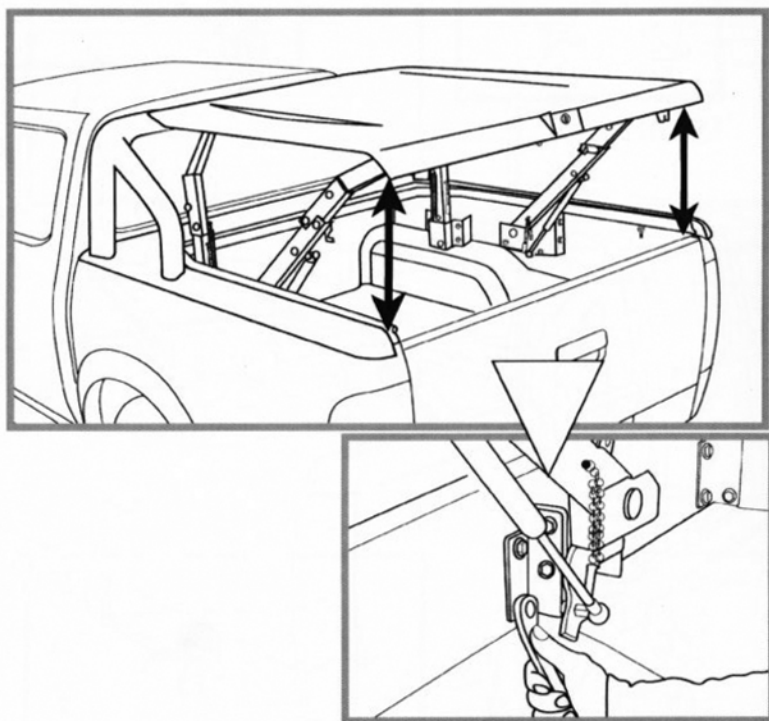
15NM



13

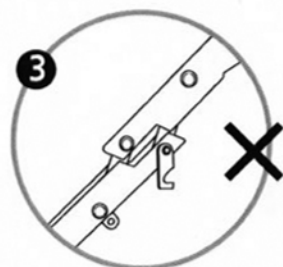
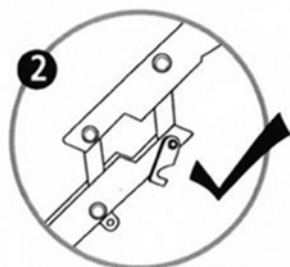
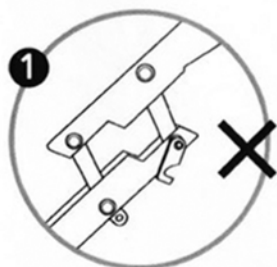
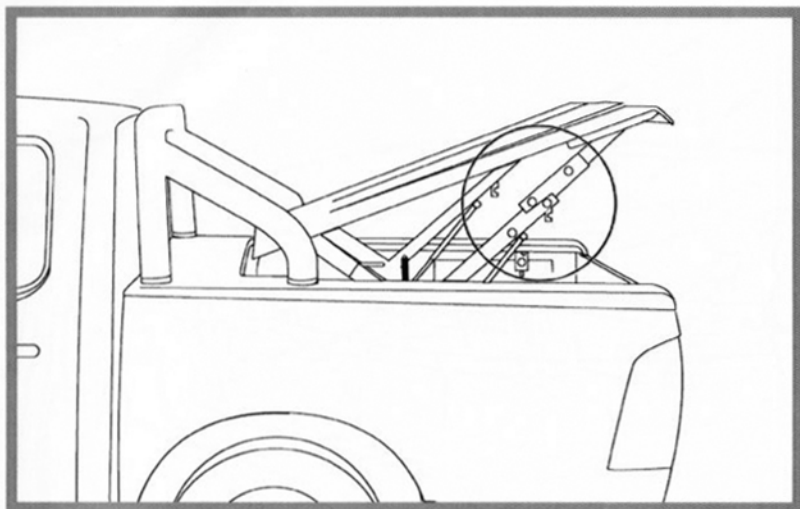


14

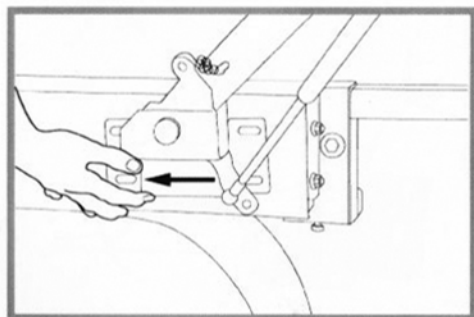


M - 10 25 NM
M - 8 17 NM

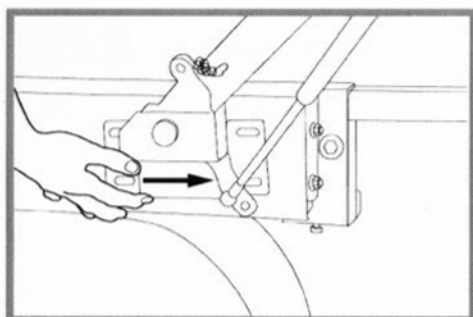
15

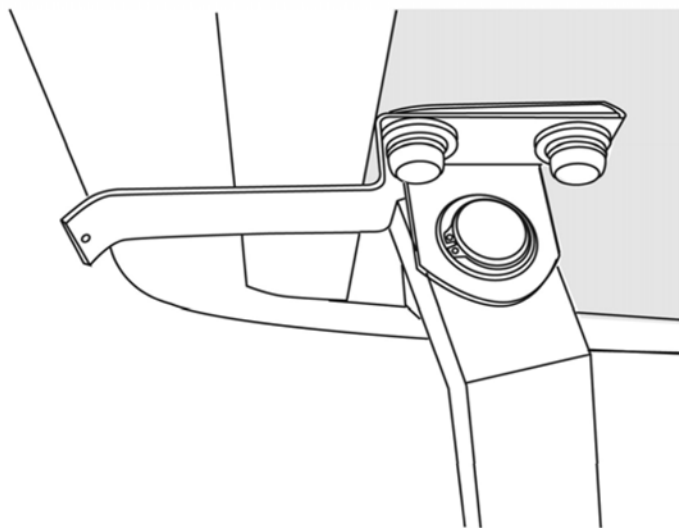
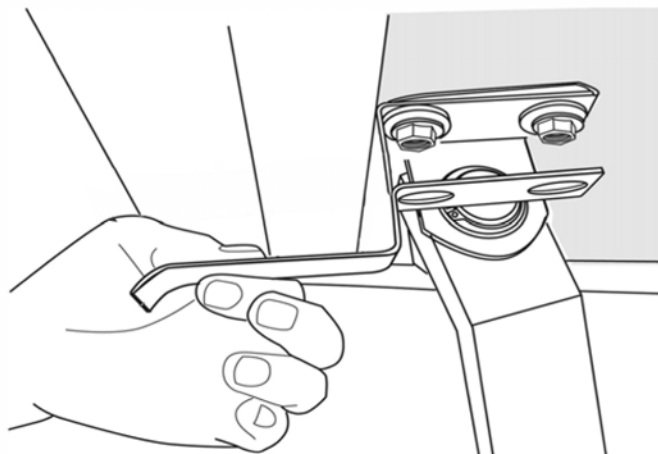


A



B





18

